

COMMERCIAL/INDUSTRIAL

- Final color selection should be made from actual color chips.
- For the most current information available, visit our website at www.customcompbldg.com
- See product selection chart for gauge and color availability.
- All products available in smooth or embossed finish.
- Trim available in all colors.
- A 40-year limited paint warranty is available upon written request for all colors except for Crimson Red, Polar White, and Brite Red. Please review our sample warranty for complete performance attributes and terms and conditions.

SIGNATURE® 200

STANDARD COLORS
26- AND 24-GAUGE MATERIAL
ALL C&I PROFILES

Siliconized Polyester

Polar White is a Straight Polyester.

* Also available in 29-gauge

Minimum quantities may be required. Please inquire.



HAWAIIAN BLUE *
SR .32 SRI 35



CRIMSON RED *
SR .33 SRI 34



FERN GREEN *
SR .28 SRI 29



BURNISHED SLATE *
SR .28 SRI 29



ASH GRAY *
SR .48 SRI 56



SADDLE TAN *
SR .48 SRI 56



DESERT SAND *
SR .42 SRI 48



KOKO BROWN *
SR .28 SRI 30



CHARCOAL GRAY *
SR .28 SRI 30



COBALT BLUE *
SR .28 SRI 27



RUSTIC RED *
SR .36 SRI 40



LIGHT STONE *
SR .50 SRI 58



POLAR WHITE* *
SR .58 SRI 69



SOLAR WHITE *
SR .74 SRI 91

SIGNATURE® 300

STANDARD COLORS
26-GAUGE MATERIAL
PBR, PBU, PBA, PBC, PBD
PANELS ONLY

KYNAR 500®, HYLAR 5000®, Low Gloss

* Also available in 24-gauge

** Minimum quantities and/or extended lead times may be required. Please inquire.



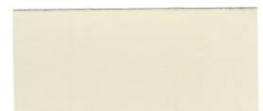
MEDIUM BRONZE* *
SR .33 SRI 36



SNOW WHITE* *
SR .65 SRI 79



SLATE GRAY *
SR .37 SRI 41



ALMOND* *
SR .63 SRI 76



CLASSIC GREEN* *
SR .28 SRI 30



BROWNSTONE* *
SR .47 SRI 54



BRITE RED *
SR .49 SRI 55



HARBOR BLUE *
SR .28 SRI 30



BONE WHITE** *
SR .70 SRI 85

Signature® is a registered trademark of NCI Group, Inc. KYNAR 500® is a registered trademark of Arkema, Inc. HYLAR 5000® is a registered trademark of Solvay Solexis.

COLOR CHART



Custom Components & Buildings, Inc.
4545 Cascade Drive | Janesville WI 53546
Phone: 608.758.2736



* ENERGY STAR® Qualified

SOLAR REFLECTIVITY (SR)?

Solar reflectivity or reflectance (SR) is the ability of a material to reflect solar energy from its surface back into the atmosphere. The SR value is a number from 0 to 1.0. A value of 0 indicates that the material absorbs all solar energy and a value of 1.0 indicates it is all reflected. Energy Star requires SR testing of both new and aged roof products. New products must have an SR value of 0.25 or higher for steep slope (above 2:12) roofing and an SR value of 0.65 or higher for low slope (2:12 or less) roofing. Aged testing takes 3 years to complete, so not all products that meet the initial requirements are qualified. For more information, please go to www.energystar.gov.

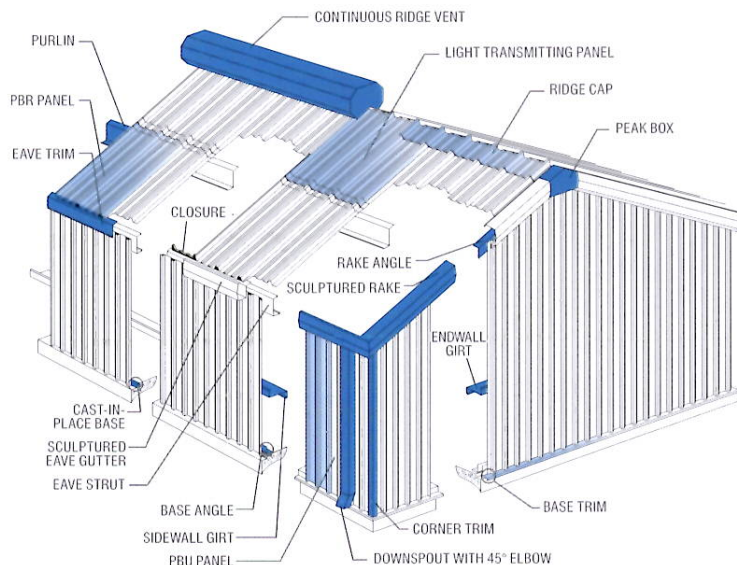


SOLAR REFLECTANCE INDEX (SRI)?

The SRI is used to determine compliance with LEED requirements and is calculated according to ASTM E 1980 using values for reflectance and emissivity. Emissivity is a material's ability to release absorbed energy. To meet LEED requirements, a roofing material must have an SRI of 29 or higher for steep slope (above 2:12) roofing and an SRI value of 78 or higher for low slope (2:12 or less) roofing. For more information, please go to www.usgbc.org.

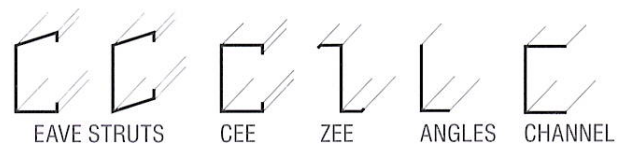
PANEL PROFILE	Panel	29 GAUGE		26 GAUGE		24 GAUGE		22 GAUGE	
		Galvalume Plus	Sig 200	Galvalume Plus	Sig 200	Galvalume Plus	Sig 200	Galvalume Plus	Sig 200
<p>"PBR" PANEL</p>	PBR	●	■	●	■	■	■	■	■
<p>"PBU" PANEL</p>	PBU	●	■	●	■	■	■	■	
<p>"PBC" PANEL</p>	PBC	●	■	●	■	■	■	■	
<p>"PBD" PANEL</p>	PBD	●	■	●	■	■	■	■	
<p>7.2 PANEL</p>	7.2	●	■	●	■	●	■	■	
<p>"AVP" PANEL</p>	AVP	●	■	●	■	■	■	■	

● Available in any quantity ■ May require minimum quantity



AVAILABLE ACCESSORIES

- Hat and Channel Sections
- Light Transmitting Panels
- Vents
- Roof Jacks
- Fasteners
- Ridge Caps
- Closures
- Doors
- Windows
- Sealants
- Insulation
- Bracing
- Bolts
- Louvers
- Sliding Door Hardware



For complete performance specifications, product limitations and disclaimers, please consult CCB's Paint and Galvalume Plus® warranties. Upon receipt of payment in full, these warranties are available upon request for all painted or Galvalume Plus®, prime products.